

TUBI 190



Round surface mounted or suspended luminaire. Top quality COB LED module with colour consistency MacAdams ≤ 3 , extensive portfolio of lumen ranges, CCTs and spectra. Variety of drivers: standard EVG on/off, DALI and wireless controlled as MasterConnect or Casambi on request. Remote, wireless occupancy & daylight sensor available to allow significant energy savings and wireless connectivity. Mounting on any type of ceiling. Body is made of aluminium tube. Standard colour RAL 9003S, any other colour from basic RAL range available at no extra cost. Variety of optics, lumen outputs and drivers allows to use this luminaire in different types of lighting projects.

Luminous flux & Luminaire Power tolerance up to 10%. System power consumption depends on components used. Luminous efficacy depends on type of LED's, electronics, optics and diffusor. The most up to date technical parameters can be found on our website and in database of LDT files.

Lighting direction:



PDF datasheet:



TUBI 190

Mounting:	Surface mounted / Suspended
Body material:	Steel and aluminium
Colour:	Standard white RAL 9003M, other RAL colours on request
Lumen output:	Standard up to 3000 lm, any other on request
LED module:	Signify (Philips), Tridonic or equivalent COB LED module
Colour temperature:	2700/3000/4000K/2700-6500K TW, other on request
Colour Rendering:	CRI>80 in standard, other on request
Driver:	EVG on-off/DALI/TW DT8/MC (MasterConnect)/Casambi, other on request
Wireless control:	Philips MasterConnect / Casambi, other on request
Daylight/Occupancy sensor:	Wireless MCS sensor
Emergency unit:	On request
Operating temperature range:	0°C ... +35°C
IP Class:	IP20 in standard, IP44 on request
Power:	220-240V 50/60Hz
Lighting direction:	Direct lighting
Light distribution:	Symmetric
Optics:	Reflector
Beam angle:	80°
Diffusor:	CG clear glass on request
Warranty:	5 Years standard warranty

TUBI 190 surface mounted, light down

TUBI 190 PND suspended, light down

All current index numbers, lumen outputs, power consumption and many other technical information are available in our 2024 pricelist. Details on wireless lighting control systems on page number 896.



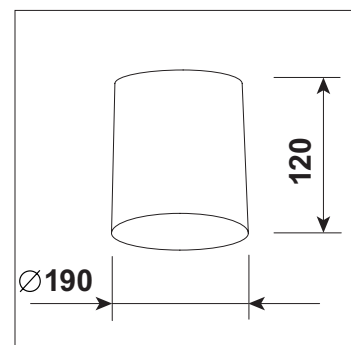
Energy saving MasterConnect wireless lighting control system with daylight and movement detection technology on request.



MCS wireless daylight & occ sensor



XC3 wireless switch



Basic dimensions



TUBI 190

Product code	Product name	Gross Lumen [lm]	Nett Lumen [lm]	Power [W]	Efficacy [lm/W]	Colour temperature [K]	Optics	Diameter [mm]	Height [mm]	Nett Weight [kg]
Ceiling mounted luminaire, light down										
20.02350.83.E.80	TUBI 190 2000lm / 830 / E / 80	2000	1940	12	162	3000	80°	Ø 190	120	1,1
20.02350.84.E.80	TUBI 190 2000lm / 840 / E / 80	2000	1940	12	162	4000	80°	Ø 190	120	1,1
20.02355.83.E.80	TUBI 190 3000lm / 830 / E / 80	3000	1940	20	97	3000	80°	Ø 190	120	1,1
20.02355.84.E.80	TUBI 190 3000lm / 840 / E / 80	3000	1940	20	97	4000	80°	Ø 190	120	1,1
Suspended, light down (suspension set and power cable with ceiling cup included)										
50.02730.83.E.80	TUBI 190 PND 2000lm / 830 / E / 80	2000	1940	12	162	3000	80°	Ø 190	120	1,1
50.02730.84.E.80	TUBI 190 PND 2000lm / 840 / E / 80	2000	1940	12	162	4000	80°	Ø 190	120	1,1
50.02735.83.E.80	TUBI 190 PND 3000lm / 830 / E / 80	3000	1940	20	97	3000	80°	Ø 190	120	1,1
50.02735.84.E.80	TUBI 190 PND 3000lm / 840 / E / 80	3000	1940	20	97	4000	80°	Ø 190	120	1,1